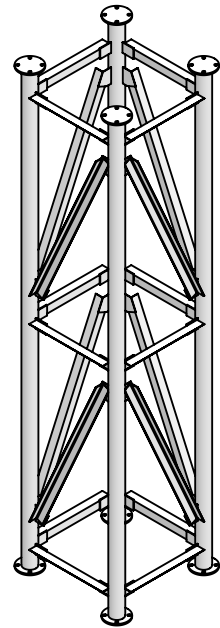
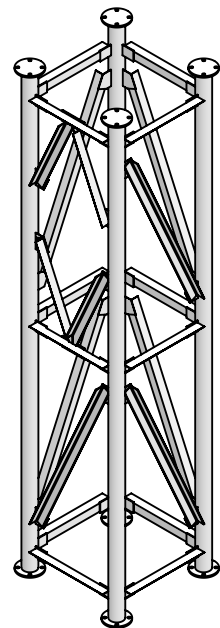


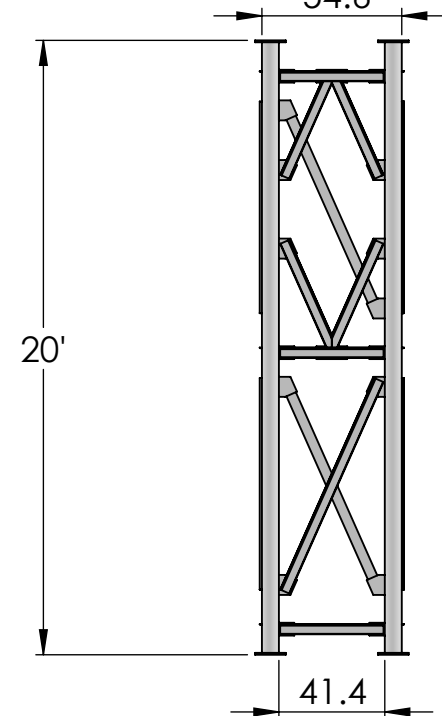
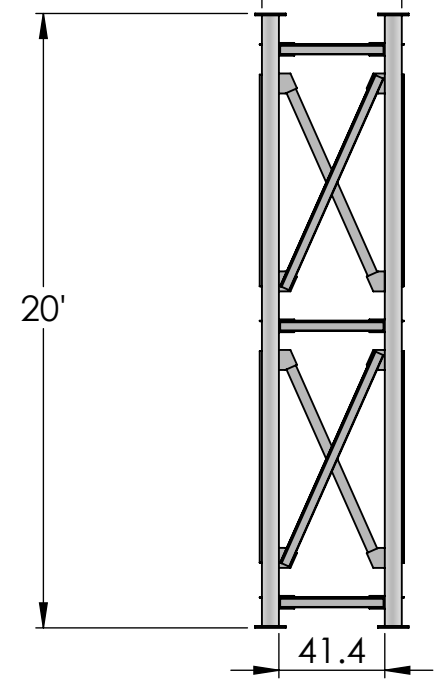
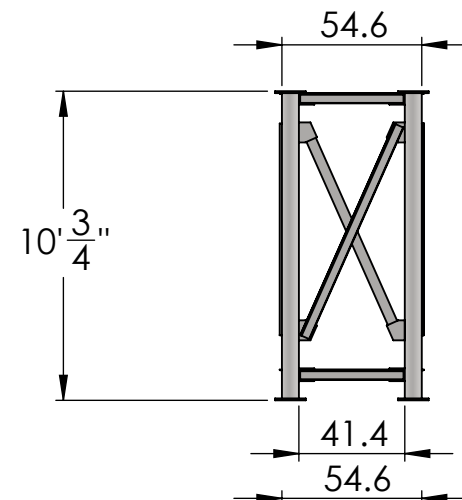
**10' EXTENSION**



**20' EXTENSION**



**20' BASE**



**GENERAL NOTES:**

1. WHEN INSTALLING FOLLOW ALL APPLIANCE MANUFACTURER AND JEREMIAS INC. INSTALLATION INSTRUCTIONS, AS WELL AS ANY LOCAL OR NATIONAL CODES.
2. INSTALLER IS TO FIELD VERIFY ALL DIMENSIONS AND PARTS BEFORE RELEASING THIS DRAWING FOR PRODUCTION.
3. ALL DRAIN LINES AND SUPPORTS BACK TO THE BUILDING ARE SUPPLIED BY THE INSTALLING CONTRACTOR.
4. JEREMIAS INC. DISCLAIMS ANY RESPONSIBILITY FOR ANY BUILDING INTERFERENCE NOT REFERENCED ON THIS DRAWING.

**WARRANTY STATEMENT:**

THIS PROJECT QUALIFIES FOR THE EXTENDED 25-YEAR LIMITED WARRANTY. SIZED BY JEREMIAS INC.

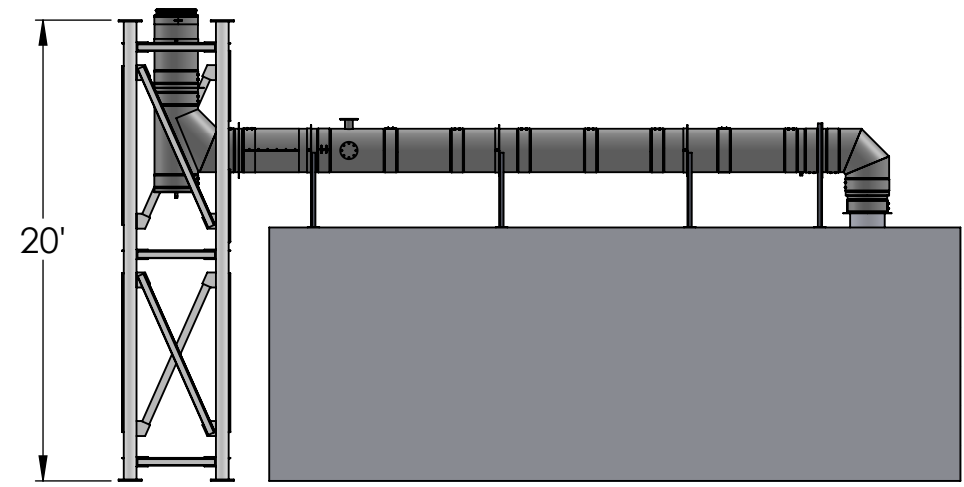
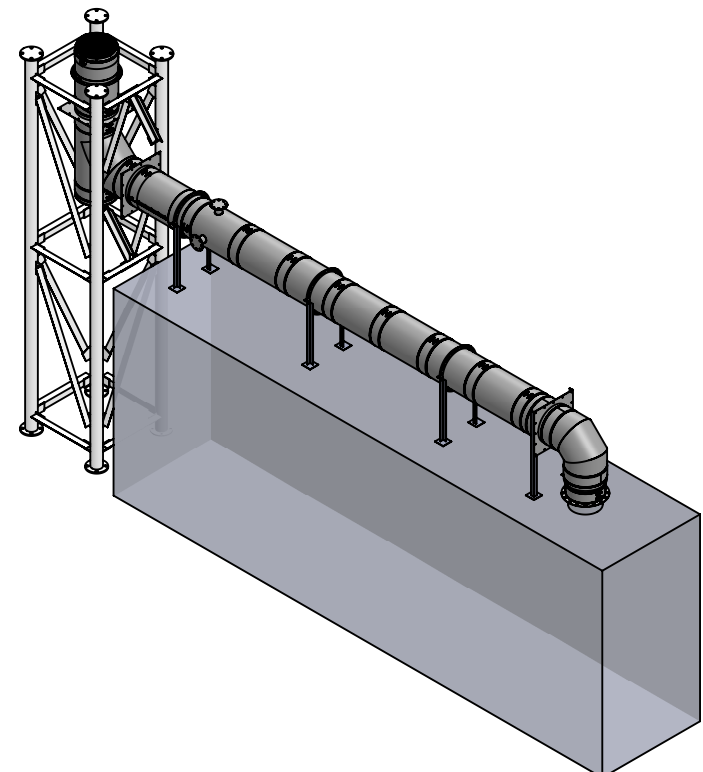
APPLIANCE MANUFACTURER / MODEL NO.: N/A  
 OPERATING FLUE GAS TEMPERATURE: N/A  
 UL INSTRUCTIONS USED FOR DESIGN: ALL-IN-ONE  
 UL LABEL USED FOR PRODUCT: 103  
 SEALANT FOR JOINTS: (X) J-600 / (X) J-400SILV

**MATERIAL:**

JEREMIAS INC. DWFL+1  
 UL AND cUL LISTED  
 0.035" THICK TYPE 316 STAINLESS STEEL INNER  
 1.25" THICK FIBER INSULATION  
 0.025" THICK TYPE 304 STAINLESS STEEL OUTER JACKET  
 TYPE 304 STAINLESS STEEL USED FOR ALL ACCESSORIES

inch / lb				scale
revisions-no.				1:75
	date	name	description	format
drawn by	4/9/2019	JAW		US LETTER
checked by	4/9/2019	LR		sheet
approved by			code	1 of 8
modified by			drawing no.	

© Jeremias GmbH. All rights reserved, also regarding any disposal, exploitation, editing, distribution, as well as in the event of applications for industrial property rights.



**GENERAL NOTES:**

1. WHEN INSTALLING FOLLOW ALL APPLIANCE MANUFACTURER AND JEREMIAS INC. INSTALLATION INSTRUCTIONS, AS WELL AS ANY LOCAL OR NATIONAL CODES.
2. INSTALLER IS TO FIELD VERIFY ALL DIMENSIONS AND PARTS BEFORE RELEASING THIS DRAWING FOR PRODUCTION.
3. ALL DRAIN LINES AND SUPPORTS BACK TO THE BUILDING ARE SUPPLIED BY THE INSTALLING CONTRACTOR.
4. JEREMIAS INC. DISCLAIMS ANY RESPONSIBILITY FOR ANY BUILDING INTERFERENCE NOT REFERENCED ON THIS DRAWING.

**WARRANTY STATEMENT:**

THIS PROJECT QUALIFIES FOR THE EXTENDED 25-YEAR LIMITED WARRANTY. SIZED BY JEREMIAS INC.

APPLIANCE MANUFACTURER / MODEL NO.: N/A

OPERATING FLUE GAS TEMPERATURE: N/A

UL INSTRUCTIONS USED FOR DESIGN: ALL-IN-ONE

UL LABEL USED FOR PRODUCT: 103

SEALANT FOR JOINTS: (X) J-600 / (X) J-400SILV

**MATERIAL:**

JEREMIAS INC. DWFL+1

UL AND cUL LISTED

0.035" THICK TYPE 316 STAINLESS STEEL INNER

1.25" THICK FIBER INSULATION

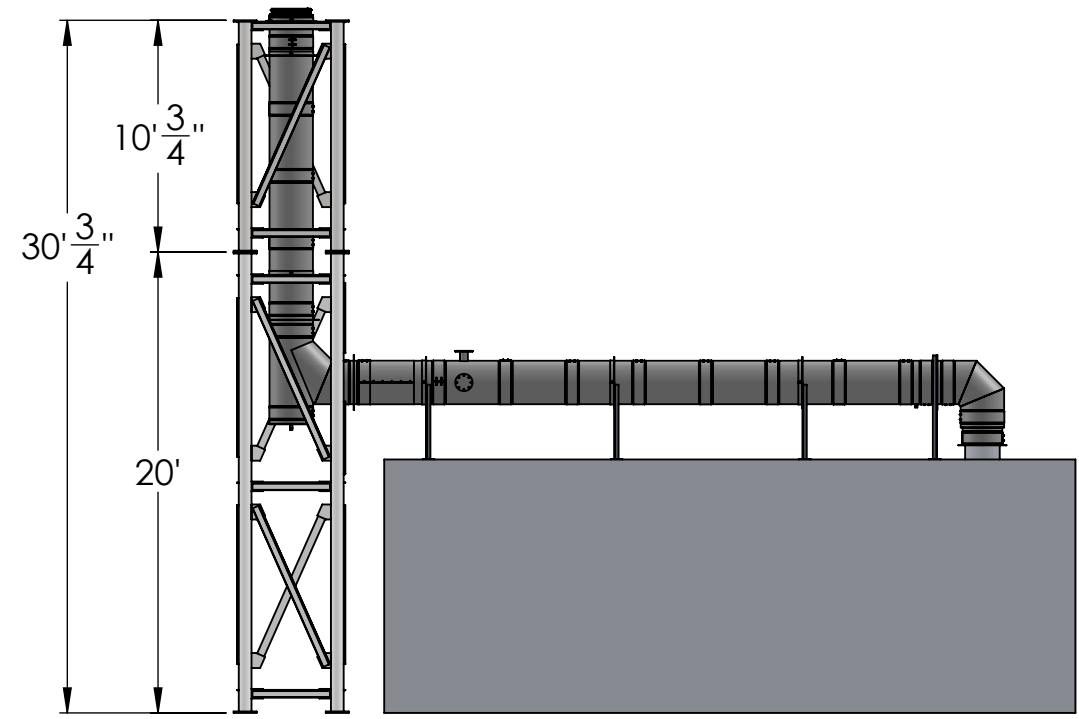
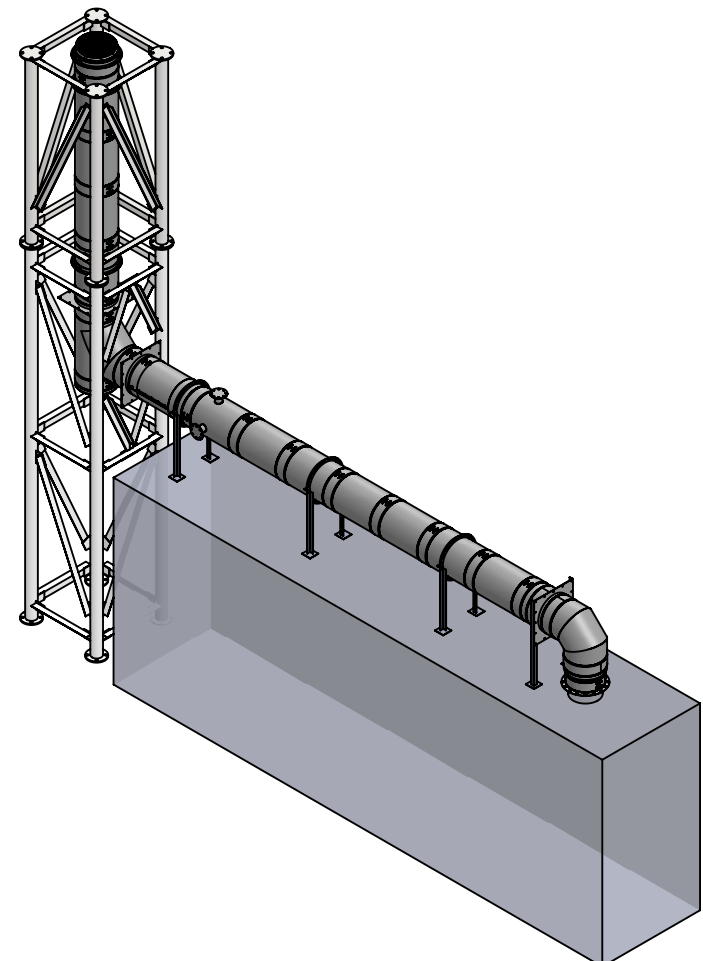
0.025" THICK TYPE 304 STAINLESS STEEL OUTER JACKET

TYPE 304 STAINLESS STEEL USED FOR ALL ACCESSORIES

inch / lb		<b>jeremias</b> <sup>®</sup> EXHAUST SYSTEMS	scale
revisions-no.			1:100
	date	description	format
drawn by	4/9/2019	JAW	US LETTER
checked by	4/9/2019	LR	sheet
approved by			2 of 8
modified by			
		code	
		drawing no.	



© Jeremias GmbH. All rights reserved, also regarding any disposal, exploitation, editing, distribution, as well as in the event of applications for industrial property rights.



**GENERAL NOTES:**

1. WHEN INSTALLING FOLLOW ALL APPLIANCE MANUFACTURER AND JEREMIAS INC. INSTALLATION INSTRUCTIONS, AS WELL AS ANY LOCAL OR NATIONAL CODES.
2. INSTALLER IS TO FIELD VERIFY ALL DIMENSIONS AND PARTS BEFORE RELEASING THIS DRAWING FOR PRODUCTION.
3. ALL DRAIN LINES AND SUPPORTS BACK TO THE BUILDING ARE SUPPLIED BY THE INSTALLING CONTRACTOR.
4. JEREMIAS INC. DISCLAIMS ANY RESPONSIBILITY FOR ANY BUILDING INTERFERENCE NOT REFERENCED ON THIS DRAWING.

**WARRANTY STATEMENT:**

THIS PROJECT QUALIFIES FOR THE EXTENDED 25-YEAR LIMITED WARRANTY. SIZED BY JEREMIAS INC.

APPLIANCE MANUFACTURER / MODEL NO.: N/A

OPERATING FLUE GAS TEMPERATURE: N/A

UL INSTRUCTIONS USED FOR DESIGN: ALL-IN-ONE

UL LABEL USED FOR PRODUCT: 103

SEALANT FOR JOINTS: (X) J-600 / (X) J-400SILV

**MATERIAL:**

JEREMIAS INC. DWFL+1

UL AND cUL LISTED

0.035" THICK TYPE 316 STAINLESS STEEL INNER

1.25" THICK FIBER INSULATION

0.025" THICK TYPE 304 STAINLESS STEEL OUTER JACKET

TYPE 304 STAINLESS STEEL USED FOR ALL ACCESSORIES

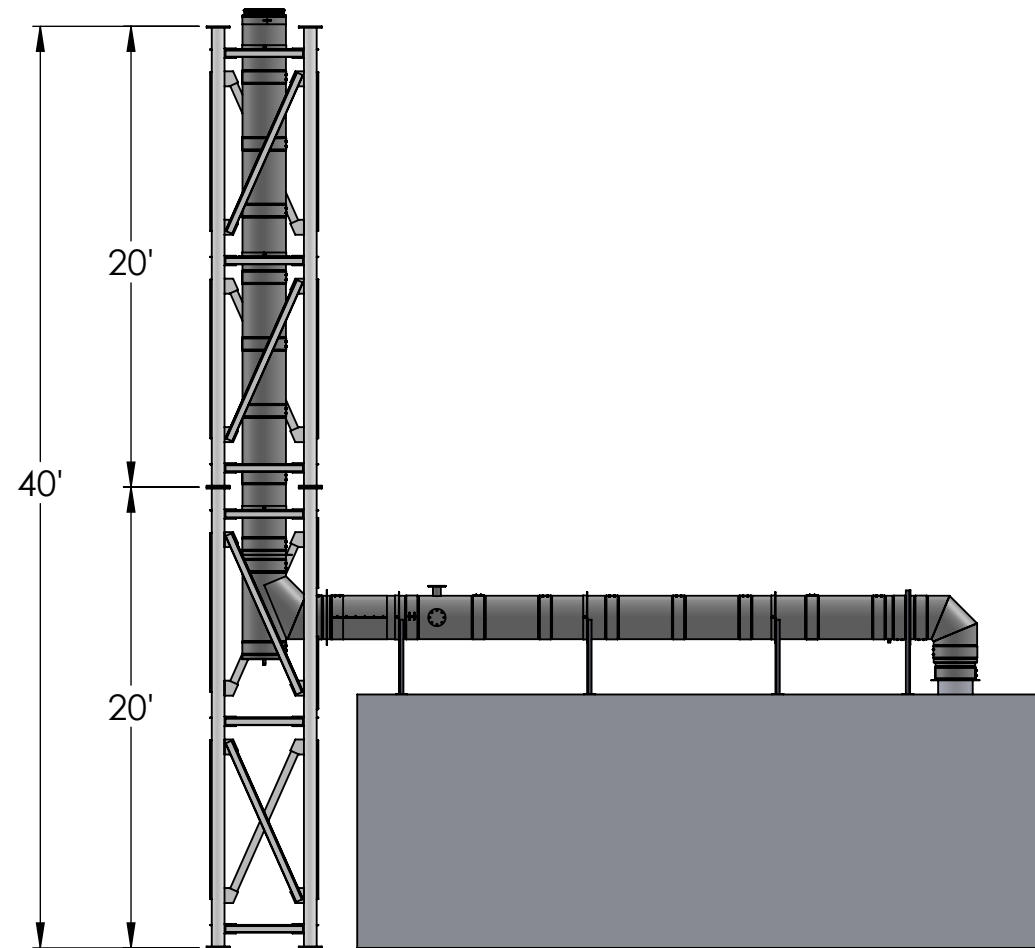
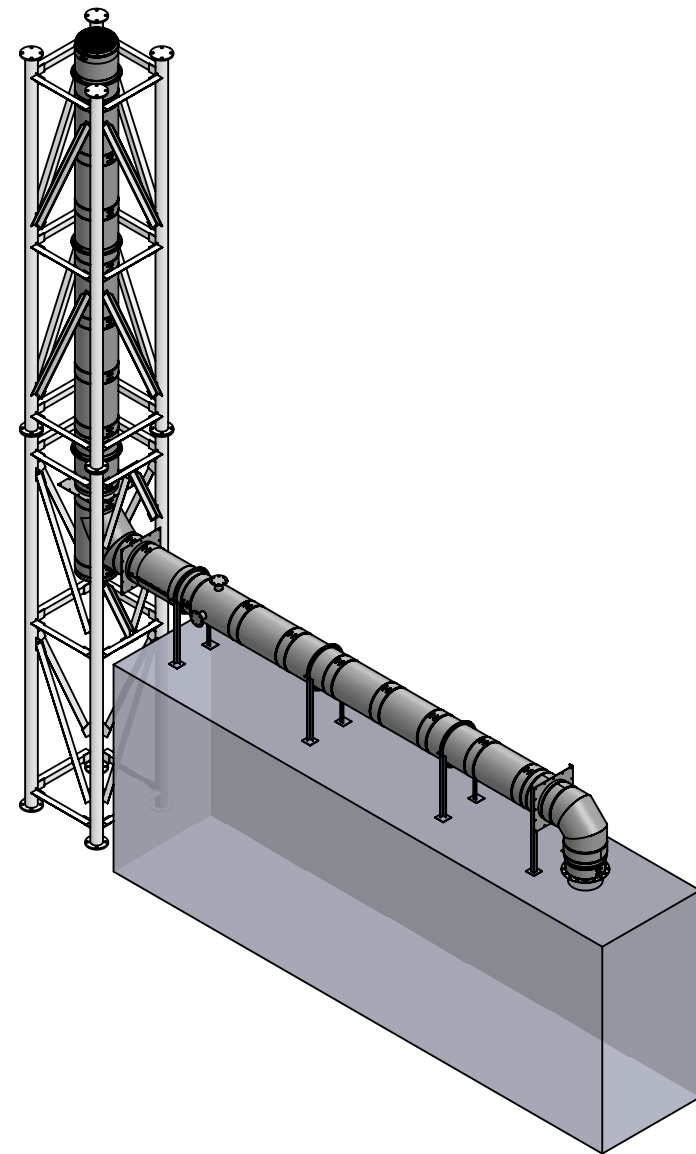
inch / lb	
revisions-no.	
date	name
drawn by	4/9/2019 JAW
checked by	4/9/2019 LR
approved by	
modified by	

**jeremias**<sup>®</sup>  
EXHAUST SYSTEMS

<table border="1" style="width: 100%; border-collapse: collapse;"> <thead> <tr> <th>description</th> </tr> </thead> <tbody> <tr> <td> </td> </tr> <tr> <td> </td> </tr> <tr> <td> </td> </tr> <tr> <td> </td> </tr> <tr> <td> </td> </tr> </tbody> </table>	description						<table border="1" style="width: 100%; border-collapse: collapse;"> <tr> <td>scale</td> <td>1:100</td> </tr> <tr> <td>format</td> <td>US LETTER</td> </tr> <tr> <td>sheet</td> <td>3 of 8</td> </tr> <tr> <td>code</td> <td></td> </tr> <tr> <td>drawing no.</td> <td></td> </tr> </table>	scale	1:100	format	US LETTER	sheet	3 of 8	code		drawing no.	
description																	
scale	1:100																
format	US LETTER																
sheet	3 of 8																
code																	
drawing no.																	



© Jeremias GmbH. All rights reserved, also regarding any disposal, exploitation, editing, distribution, as well as in the event of applications for industrial property rights.



**GENERAL NOTES:**

1. WHEN INSTALLING FOLLOW ALL APPLIANCE MANUFACTURER AND JEREMIAS INC. INSTALLATION INSTRUCTIONS, AS WELL AS ANY LOCAL OR NATIONAL CODES.
2. INSTALLER IS TO FIELD VERIFY ALL DIMENSIONS AND PARTS BEFORE RELEASING THIS DRAWING FOR PRODUCTION.
3. ALL DRAIN LINES AND SUPPORTS BACK TO THE BUILDING ARE SUPPLIED BY THE INSTALLING CONTRACTOR.
4. JEREMIAS INC. DISCLAIMS ANY RESPONSIBILITY FOR ANY BUILDING INTERFERENCE NOT REFERENCED ON THIS DRAWING.

**WARRANTY STATEMENT:**

THIS PROJECT QUALIFIES FOR THE EXTENDED 25-YEAR LIMITED WARRANTY. SIZED BY JEREMIAS INC.

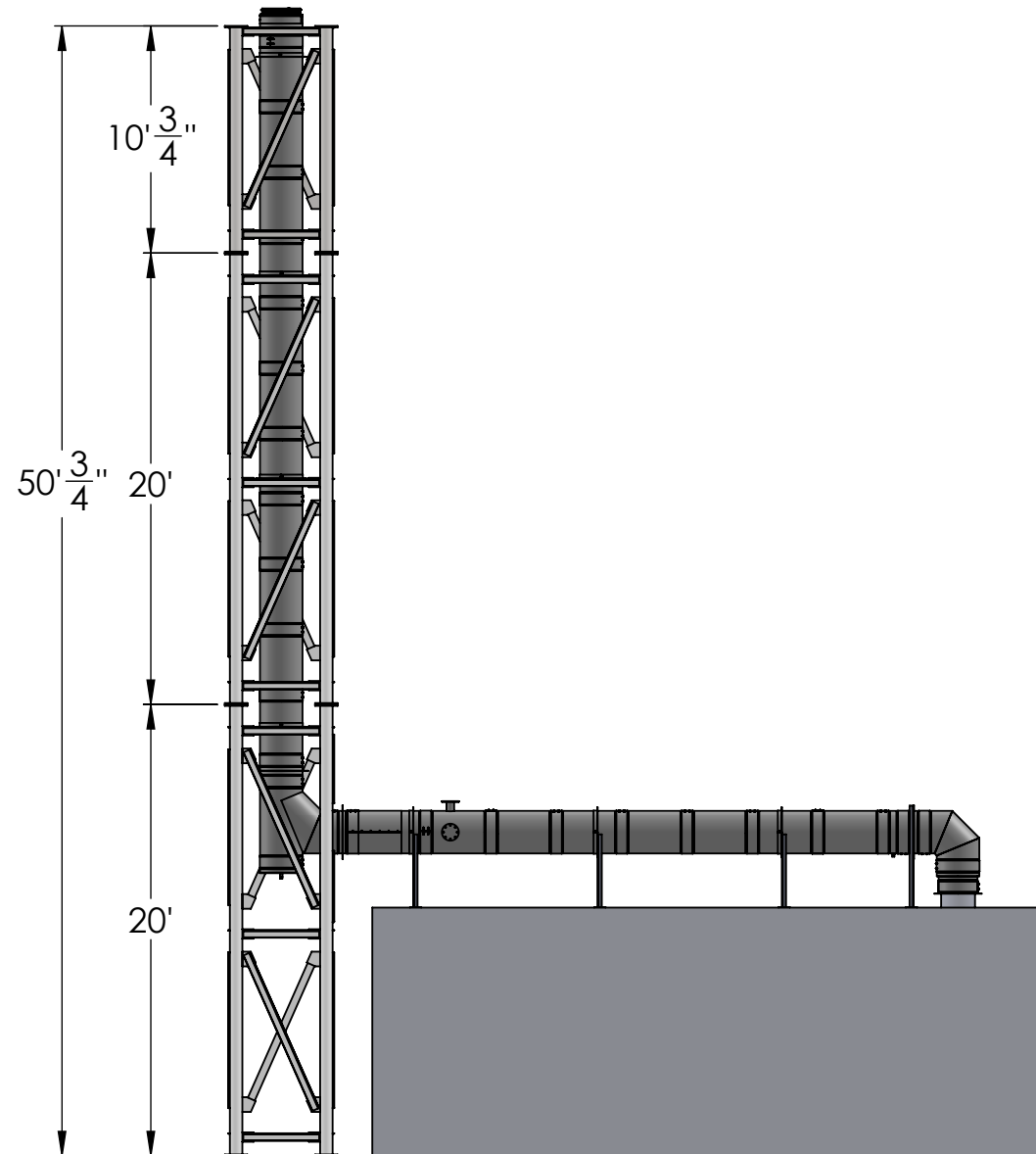
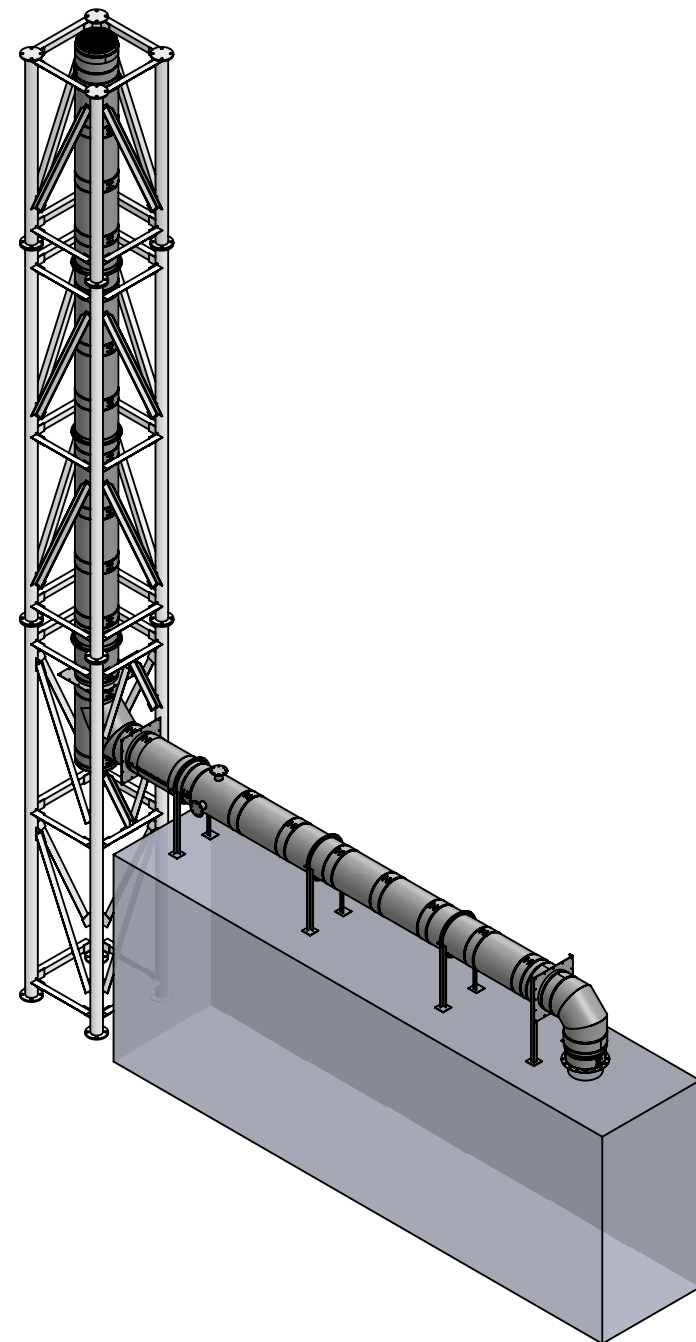
APPLIANCE MANUFACTURER / MODEL NO.: N/A  
 OPERATING FLUE GAS TEMPERATURE: N/A  
 UL INSTRUCTIONS USED FOR DESIGN: ALL-IN-ONE  
 UL LABEL USED FOR PRODUCT: 103  
 SEALANT FOR JOINTS: (X) J-600 / (X) J-400SILV

**MATERIAL:**

JEREMIAS INC. DWFL+1  
 UL AND cUL LISTED  
 0.035" THICK TYPE 316 STAINLESS STEEL INNER  
 1.25" THICK FIBER INSULATION  
 0.025" THICK TYPE 304 STAINLESS STEEL OUTER JACKET  
 TYPE 304 STAINLESS STEEL USED FOR ALL ACCESSORIES

inch / lb		<b>jeremias</b> <sup>®</sup> EXHAUST SYSTEMS	scale
revisions-no.			1:100
date	name	description	format
drawn by	4/9/2019 JAW		US LETTER
checked by	4/9/2019 LR	code	sheet
approved by			4 of 8
modified by		drawing no.	⊕

© Jeremias GmbH. All rights reserved, also regarding any disposal, exploitation, editing, distribution, as well as in the event of applications for industrial property rights.



**GENERAL NOTES:**

1. WHEN INSTALLING FOLLOW ALL APPLIANCE MANUFACTURER AND JEREMIAS INC. INSTALLATION INSTRUCTIONS, AS WELL AS ANY LOCAL OR NATIONAL CODES.
2. INSTALLER IS TO FIELD VERIFY ALL DIMENSIONS AND PARTS BEFORE RELEASING THIS DRAWING FOR PRODUCTION.
3. ALL DRAIN LINES AND SUPPORTS BACK TO THE BUILDING ARE SUPPLIED BY THE INSTALLING CONTRACTOR.
4. JEREMIAS INC. DISCLAIMS ANY RESPONSIBILITY FOR ANY BUILDING INTERFERENCE NOT REFERENCED ON THIS DRAWING.

**WARRANTY STATEMENT:**

THIS PROJECT QUALIFIES FOR THE EXTENDED 25-YEAR LIMITED WARRANTY. SIZED BY JEREMIAS INC.

APPLIANCE MANUFACTURER / MODEL NO.: N/A  
 OPERATING FLUE GAS TEMPERATURE: N/A  
 UL INSTRUCTIONS USED FOR DESIGN: ALL-IN-ONE  
 UL LABEL USED FOR PRODUCT: 103  
 SEALANT FOR JOINTS: (X) J-600 / (X) J-400SILV

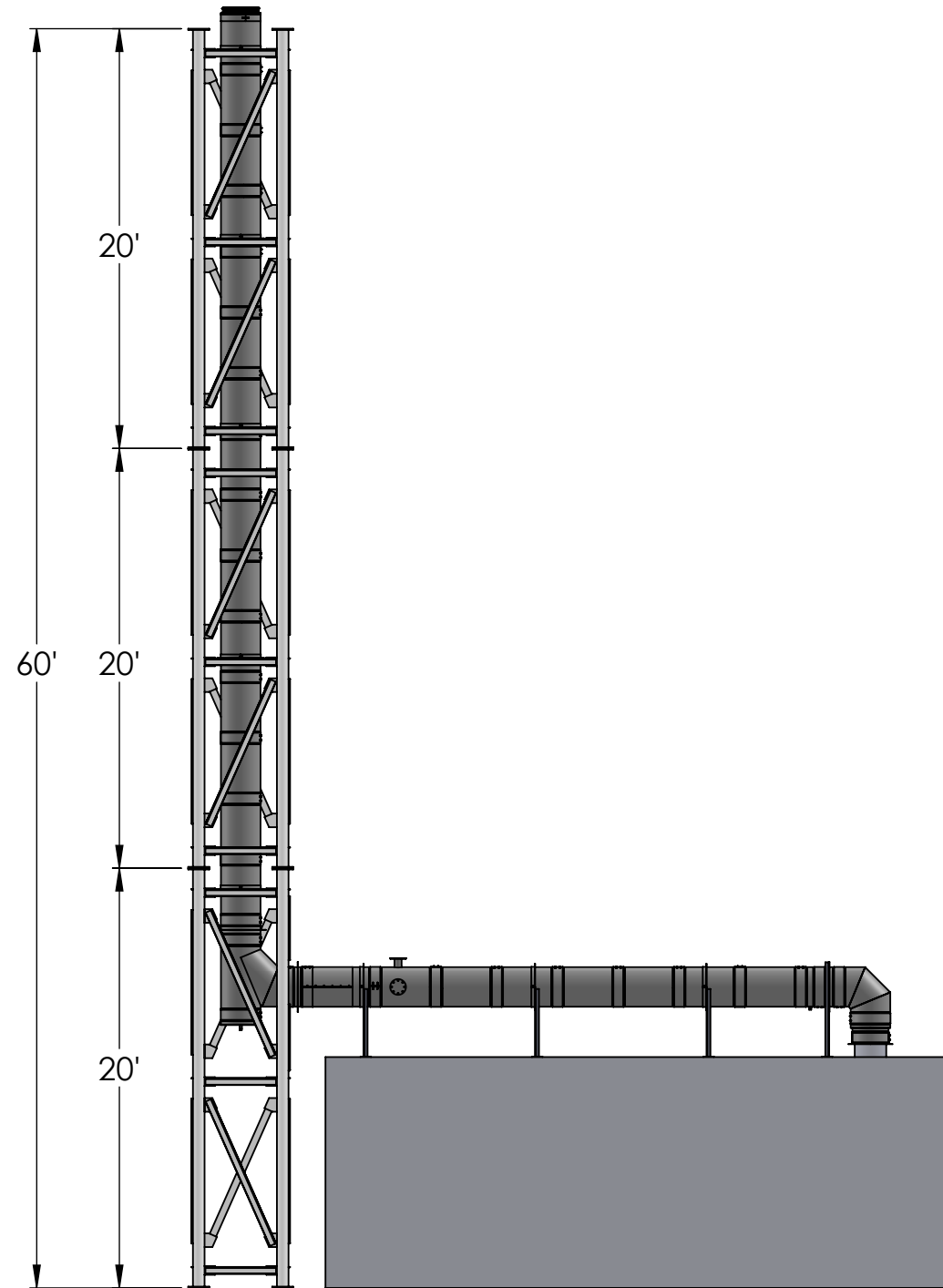
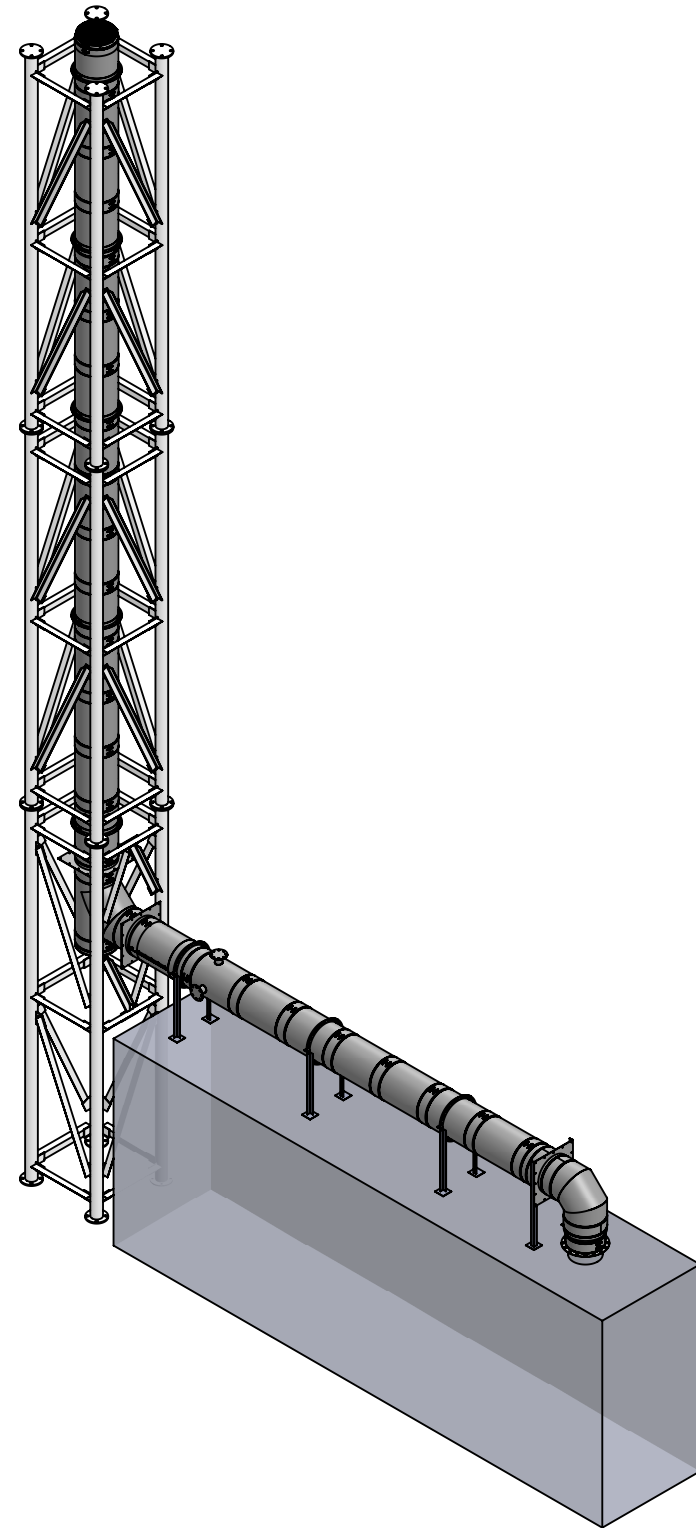
**MATERIAL:**

JEREMIAS INC. DWFL+1  
 UL AND cUL LISTED  
 0.035" THICK TYPE 316 STAINLESS STEEL INNER  
 1.25" THICK FIBER INSULATION  
 0.025" THICK TYPE 304 STAINLESS STEEL OUTER JACKET  
 TYPE 304 STAINLESS STEEL USED FOR ALL ACCESSORIES

inch / lb		<b>jeremias</b> <sup>®</sup> EXHAUST SYSTEMS	scale
revisions-no.			1:100
		description	format
drawn by	date		US LETTER
checked by	4/9/2019	JAW	sheet
approved by	4/9/2019	LR	5 of 8
modified by			
		code	
		drawing no.	



© Jeremias GmbH. All rights reserved, also regarding any disposal, exploitation, editing, distribution, as well as in the event of applications for industrial property rights.



**GENERAL NOTES:**

1. WHEN INSTALLING FOLLOW ALL APPLIANCE MANUFACTURER AND JEREMIAS INC. INSTALLATION INSTRUCTIONS, AS WELL AS ANY LOCAL OR NATIONAL CODES.
2. INSTALLER IS TO FIELD VERIFY ALL DIMENSIONS AND PARTS BEFORE RELEASING THIS DRAWING FOR PRODUCTION.
3. ALL DRAIN LINES AND SUPPORTS BACK TO THE BUILDING ARE SUPPLIED BY THE INSTALLING CONTRACTOR.
4. JEREMIAS INC. DISCLAIMS ANY RESPONSIBILITY FOR ANY BUILDING INTERFERENCE NOT REFERENCED ON THIS DRAWING.

**WARRANTY STATEMENT:**

THIS PROJECT QUALIFIES FOR THE EXTENDED 25-YEAR LIMITED WARRANTY. SIZED BY JEREMIAS INC.

APPLIANCE MANUFACTURER / MODEL NO.: N/A  
 OPERATING FLUE GAS TEMPERATURE: N/A  
 UL INSTRUCTIONS USED FOR DESIGN: ALL-IN-ONE  
 UL LABEL USED FOR PRODUCT: 103  
 SEALANT FOR JOINTS: (X) J-600 / (X) J-400SILV

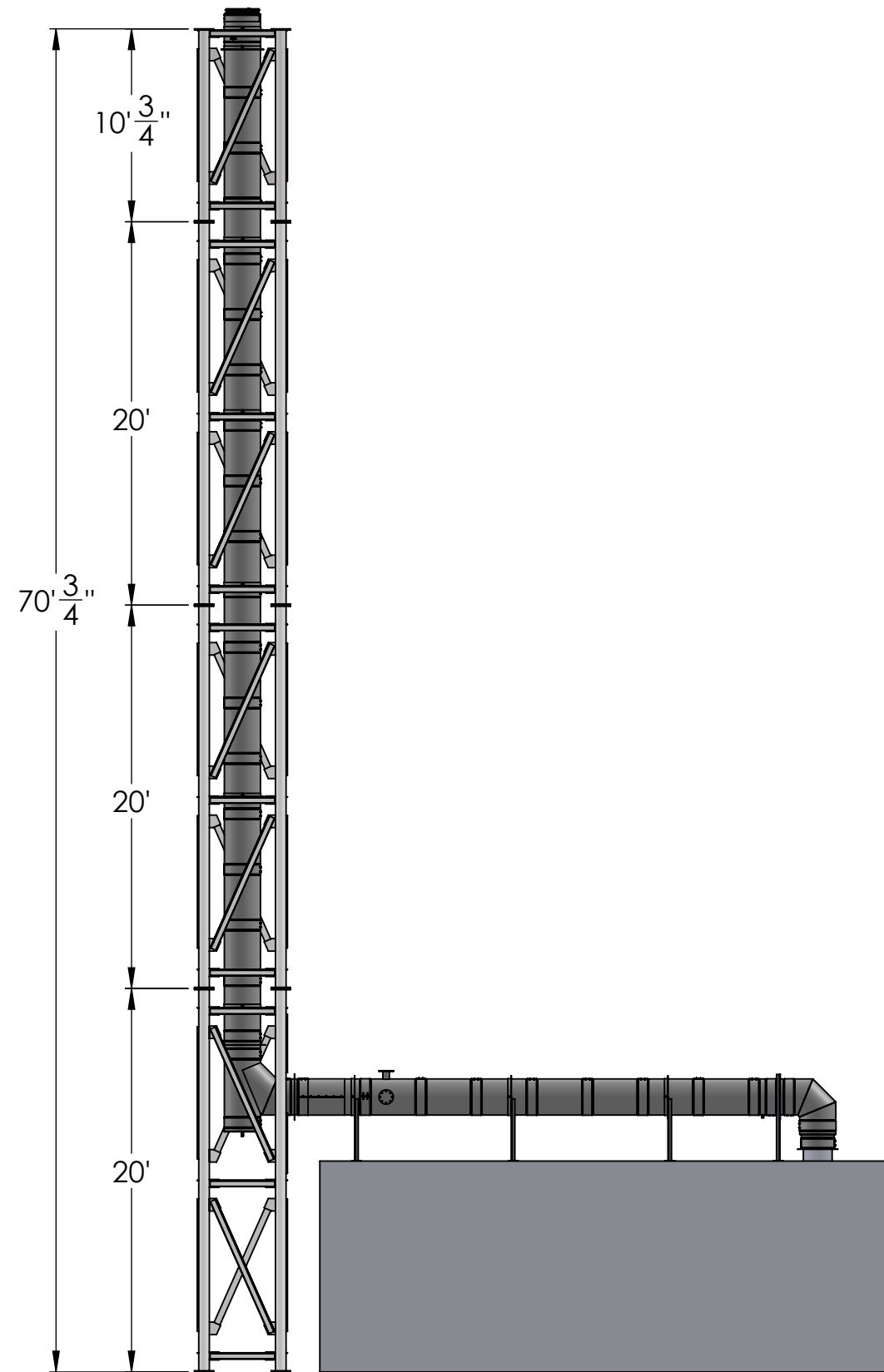
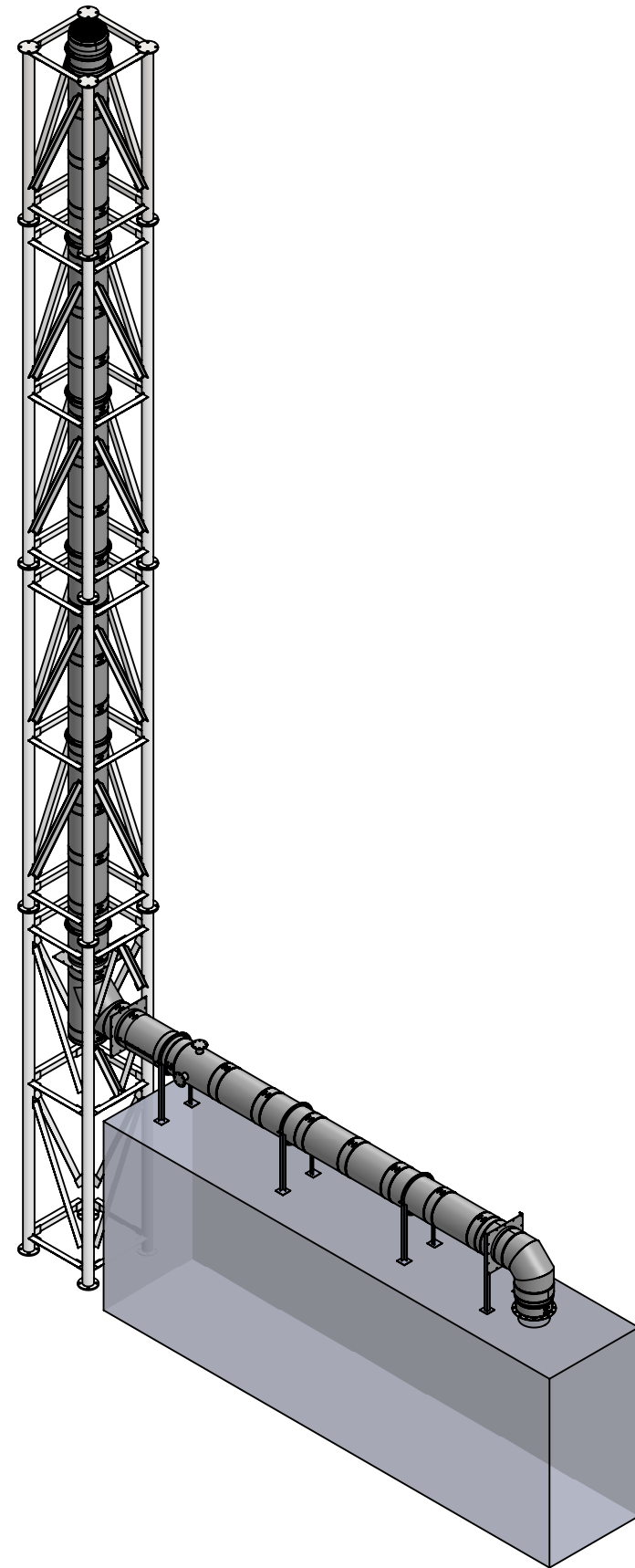
**MATERIAL:**

JEREMIAS INC. DWFL+1  
 UL AND cUL LISTED  
 0.035" THICK TYPE 316 STAINLESS STEEL INNER  
 1.25" THICK FIBER INSULATION  
 0.025" THICK TYPE 304 STAINLESS STEEL OUTER JACKET  
 TYPE 304 STAINLESS STEEL USED FOR ALL ACCESSORIES

inch / lb		<b>jeremias</b> <sup>®</sup> EXHAUST SYSTEMS	scale
revisions-no.			1:100
	date	name	format
drawn by	4/9/2019	JAW	US LETTER
checked by	4/9/2019	LR	sheet
approved by			6 of 8
modified by			
		description	
		code	
		drawing no.	



© Jeremias GmbH. All rights reserved, also regarding any disposal, exploitation, editing, distribution, as well as in the event of applications for industrial property rights.



**GENERAL NOTES:**

1. WHEN INSTALLING FOLLOW ALL APPLIANCE MANUFACTURER AND JEREMIAS INC. INSTALLATION INSTRUCTIONS, AS WELL AS ANY LOCAL OR NATIONAL CODES.
2. INSTALLER IS TO FIELD VERIFY ALL DIMENSIONS AND PARTS BEFORE RELEASING THIS DRAWING FOR PRODUCTION.
3. ALL DRAIN LINES AND SUPPORTS BACK TO THE BUILDING ARE SUPPLIED BY THE INSTALLING CONTRACTOR.
4. JEREMIAS INC. DISCLAIMS ANY RESPONSIBILITY FOR ANY BUILDING INTERFERENCE NOT REFERENCED ON THIS DRAWING.

**WARRANTY STATEMENT:**

THIS PROJECT QUALIFIES FOR THE EXTENDED 25-YEAR LIMITED WARRANTY. SIZED BY JEREMIAS INC.

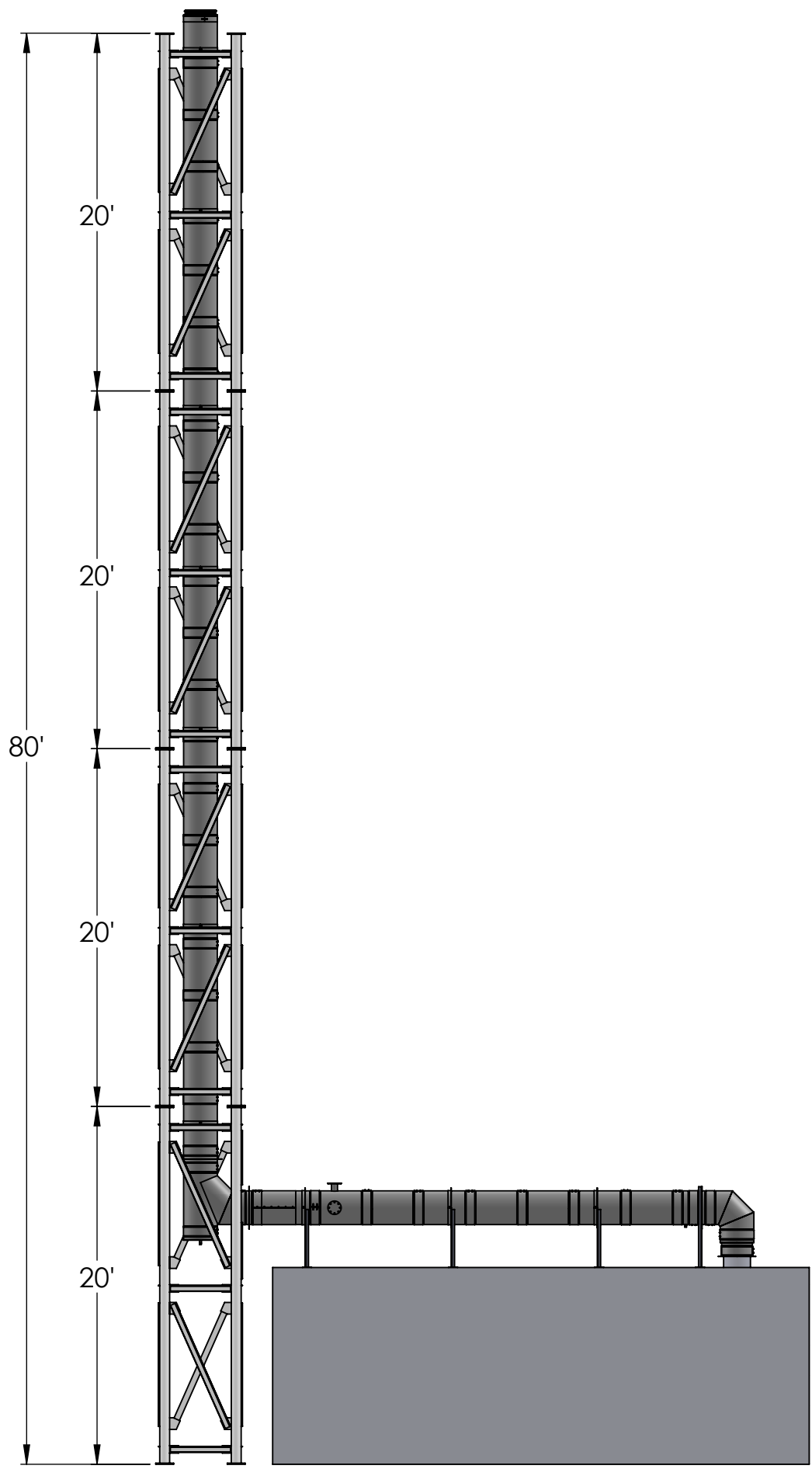
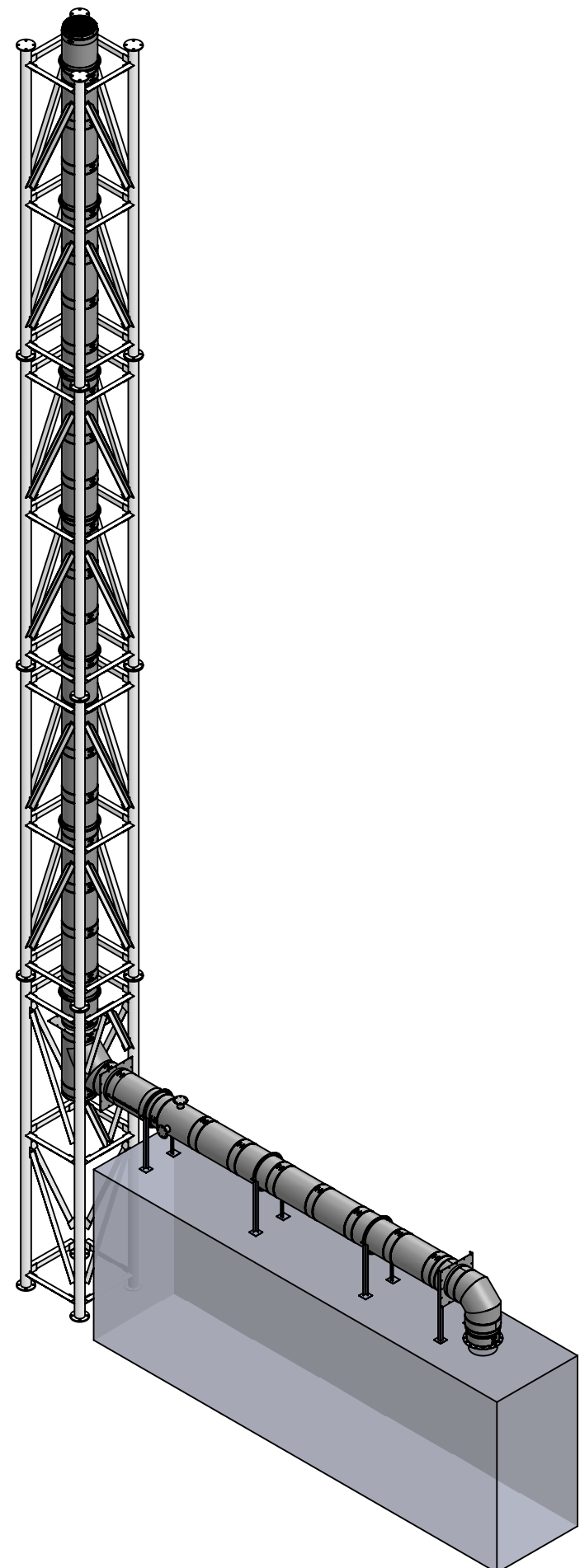
APPLIANCE MANUFACTURER / MODEL NO.: N/A  
 OPERATING FLUE GAS TEMPERATURE: N/A  
 UL INSTRUCTIONS USED FOR DESIGN: ALL-IN-ONE  
 UL LABEL USED FOR PRODUCT: 103  
 SEALANT FOR JOINTS: (X) J-600 / (X) J-400SILV

**MATERIAL:**

JEREMIAS INC. DWFL+1  
 UL AND cUL LISTED  
 0.035" THICK TYPE 316 STAINLESS STEEL INNER  
 1.25" THICK FIBER INSULATION  
 0.025" THICK TYPE 304 STAINLESS STEEL OUTER JACKET  
 TYPE 304 STAINLESS STEEL USED FOR ALL ACCESSORIES

inch / lb		<b>jeremias</b> <sup>®</sup> EXHAUST SYSTEMS	scale
revisions-no.			1:100
		description	format
date	name		US LETTER
drawn by	4/9/2019	JAW	sheet
checked by	4/9/2019	LR	7 of 8
approved by			☐
modified by			
		code	
		drawing no.	

© Jeremias GmbH. All rights reserved, also regarding any disposal, exploitation, editing, distribution, as well as in the event of applications for industrial property rights.



**GENERAL NOTES:**

1. WHEN INSTALLING FOLLOW ALL APPLIANCE MANUFACTURER AND JEREMIAS INC. INSTALLATION INSTRUCTIONS, AS WELL AS ANY LOCAL OR NATIONAL CODES.
2. INSTALLER IS TO FIELD VERIFY ALL DIMENSIONS AND PARTS BEFORE RELEASING THIS DRAWING FOR PRODUCTION.
3. ALL DRAIN LINES AND SUPPORTS BACK TO THE BUILDING ARE SUPPLIED BY THE INSTALLING CONTRACTOR.
4. JEREMIAS INC. DISCLAIMS ANY RESPONSIBILITY FOR ANY BUILDING INTERFERENCE NOT REFERENCED ON THIS DRAWING.

**WARRANTY STATEMENT:**


THIS PROJECT QUALIFIES FOR THE EXTENDED 25-YEAR LIMITED WARRANTY. SIZED BY JEREMIAS INC.

APPLIANCE MANUFACTURER / MODEL NO.: N/A  
 OPERATING FLUE GAS TEMPERATURE: N/A  
 UL INSTRUCTIONS USED FOR DESIGN: ALL-IN-ONE  
 UL LABEL USED FOR PRODUCT: 103  
 SEALANT FOR JOINTS: (X) J-600 / (X) J-400SILV

**MATERIAL:**

JEREMIAS INC. DWFL+1  
 UL AND cUL LISTED  
 0.035" THICK TYPE 316 STAINLESS STEEL INNER  
 1.25" THICK FIBER INSULATION  
 0.025" THICK TYPE 304 STAINLESS STEEL OUTER JACKET  
 TYPE 304 STAINLESS STEEL USED FOR ALL ACCESSORIES

inch / lb	
revisions-no.	
date	name
drawn by	4/9/2019 JAW
checked by	4/9/2019 LR
approved by	
modified by	



**jeremias**<sup>®</sup>  
EXHAUST SYSTEMS

<table border="1" style="width: 100%; border-collapse: collapse;"> <thead> <tr> <th>description</th> </tr> </thead> <tbody> <tr> <td> </td> </tr> <tr> <td> </td> </tr> <tr> <td> </td> </tr> <tr> <td> </td> </tr> <tr> <td> </td> </tr> </tbody> </table>	description						<table border="1" style="width: 100%; border-collapse: collapse;"> <tr> <td>scale</td> <td>1:100</td> </tr> <tr> <td>format</td> <td>US LETTER</td> </tr> <tr> <td>sheet</td> <td>8 of 8</td> </tr> <tr> <td>code</td> <td> </td> </tr> <tr> <td>drawing no.</td> <td> </td> </tr> </table>	scale	1:100	format	US LETTER	sheet	8 of 8	code		drawing no.	
description																	
scale	1:100																
format	US LETTER																
sheet	8 of 8																
code																	
drawing no.																	

